

Centura 40 IP20 Class 2

Fixed ring modular LED pendant lighting system

Down light - 2 or 4 x high power LEDs with lenses per module

Up light - 1 x RGB, RGBW, RGBA array or white-light COB per every other module



Fixed modular LED pendant lighting system IP20 - Up and Down light

Product description:

Modular circular LED pendants in a range of sizes with up and down lights and decorative two-colour louvred snoots in custom finishes for use in a wide range of application areas. The unique design means that the size of the ring can range from 120mm ø with no maximum.

Each module:

Down light - 2 or 4 x Cree XPE, XPG LEDs or Osram Oslon LEDs with Ledil Tina2 lenses. Up to 1,060 Lumens per ft (3,500 Lumens per Mtr)

Up light - 1 x white-light COB or 1 x array of Cree RGB, RBW or RGBA LEDs every other module. Up to 450 Lumens per ft (1,500 Lumens per Mtr)

Up to 7.5 Watts per 4" (100mm) module

30 Volt - 48 Volt DC supply depending on application

Integral LV constant current drivers

Dimming options available: 1 - 10V, DMX and DALI

Various LED colour temperature and CRI options available

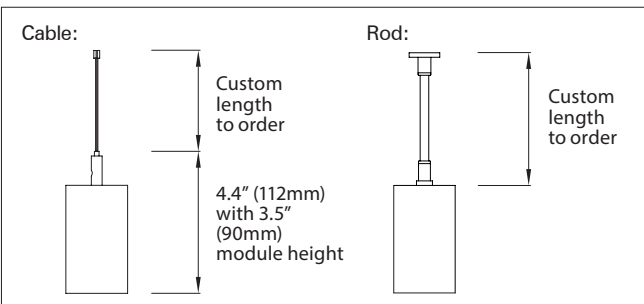
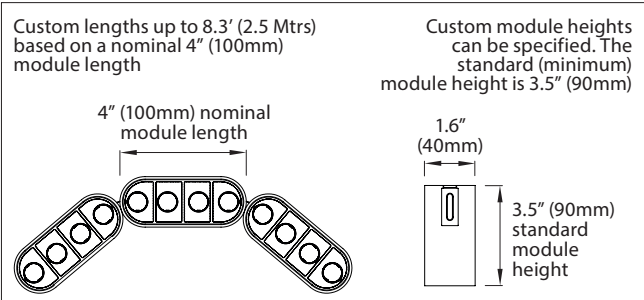
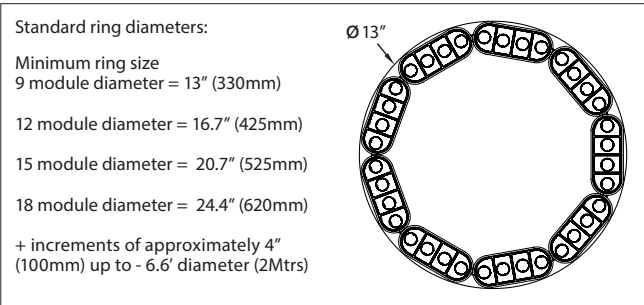
Body - Satin black, white or any RAL powder coat or anodized finish

Decorative anti-glare louvred snoots with custom powder coat or anodized finishes to order. The louvre finish can differ from the body

Custom lengths based on a 4" (100mm) module up to 8.3' (2.5 Mtrs)

Rod or cable suspension options. Custom solutions are also available

* Colour mixing lens not available with Centura 40 IP20. See Centura 60 IP20 data sheets for versions with colour-blending Gaggione lens.



Down light LED / lens matrix	CREE XP-E		CREE XP-G	
	Tina	Heidi	Tina	Heidi
Diffused spot (D)	12°	9°	17°	12°
Real spot (RS)	11°	8°	15°	9°
Medium (M)	31°	28°	30°	28°
Wide (W)	50°	32°	57°	31°
Wide (WW)	55°	44°	58°	44°
Wide (WWW)	57°	N/A	60°	N/A
Elliptical (O)	32+14°	48+10°	35+16°	47+14°

Product Code	No. of LEDs per foot	IP	Diameter (mm)	LED Type	CRI	Up & Down Colour Temp. (K)	Optics	Mounting Type	Cut angle(°)	Finish
RAD CENTURA 40 RING UP & DOWN IP20	Down light: 12 x LEDs per ft: 1" (25mm) pitch	20	13" 330mm to custom figure	Down light: Cree: XP-E, XP-G, XQ-E Osram: Oslon	Down light: Cree: 80, 90 Osram: 95	27=2,700k 30=3,000k 35=3,500k 40=4,000k 45=4,500k 50=5,000k * RGB * RGBW * RGBA * Dynamic white	Downlight: N, M, W, E, Diffused spot (See LED / lens matrix)	Steel Cable Fixed rod	0° - 75° Available in 5 degree increments	Body: Any powder coat or anodized finish Louvre: Any powder coat or anodized finish
	Up light: 1 x COB/array every other module: 8" (200mm) pitch									